

## standard binders

Standard material: Plain Vinyl

Standard colours: ●Black, ●Navy Blue, ●Royal Blue, ●Bank Blue, ●Red, ●Maroon, ●Dark Green, ●Forest Green, ●Yellow, ○White

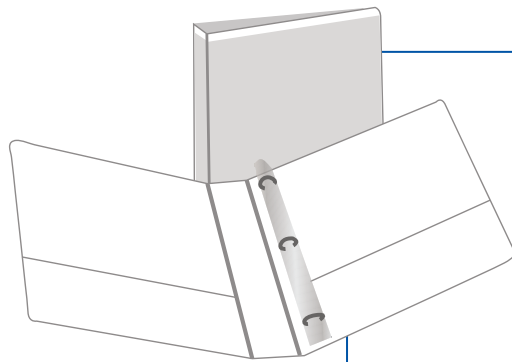
Imprint category: B

Imprinting methods: **Hot Stamping**, Silk-screening, Debossing/Embossing, Decal

- Custom index tabs available (at extra cost)
- Please see below for custom options
- For custom sizes and/or colours, please contact customer service



	1/2" / 5/8"	3/4"	1"	1 1/2"	2"	2 1/2"	3"
'O' Ring	HY2005	HY2010	HY2015	HY2025	HY2030	HY2035	HY2040
'D' Ring		HY2065	HY2070	HY2080	HY2085	HY2095	HY2098
Angle 'D' Ring			HY2270	HY2280	HY2285	HY2290	HY2295



## showcase binders

Standard material: Plain Vinyl

Standard colours: ●Black, ●Navy Blue, ●Royal Blue, ●Bank Blue, ●Red, ●Maroon, ●Dark Green, ●Forest Green, ●Yellow, ○White

Imprint category: B

Imprinting methods: **Hot Stamping**, Silk-screening, Debossing/Embossing, Decal

- Clear overlay on front and spine
- Clear pocket on inside front and back cover
- Custom index tabs available (at extra cost)
- Please see below for custom options
- For custom sizes and/or colours, please contact customer service

	5/8"	1"	1 1/2"	2"	2 1/2"	3"
'O' Ring	HY2405					
'D' Ring		HY2410	HY2415	HY2420	HY2425	HY2430



## ring size

### panel dimensions

	1/2" / 5/8"	3/4"	1"	1 1/2"	2"	2 1/2"	3"
Cover Width	9 7/8"	9 7/8"	10"	10 3/4"	11 1/2"	11 7/8"	11 7/8"
Spine Width	1"	1"	1 1/2"	2 1/8"	2 7/8"	3 3/8"	3 5/8"

All binders have a standard height of 11 7/8"

### capacity

'O' Ring	100	120	175	325	475	625	775
'D' Ring		130	200	350	500	650	800
Angle 'D' Ring			200	350	500	650	800

### packaging (per box)

'O' Ring	40	36	30	20	16	12	10
'D' Ring			26	18	14	10	10

## HY2500 poly binders

Standard material: Polyethylene

Imprint category: B

Imprinting methods: **Silk-screening**

- Durable and economical
- Available in different colours and thicknesses
- Please contact customer service for quote

## Options

- HY2100 Silk-screen per colour
- HY2120 Corner sealed business card pocket
- HY2130 3 side sealed business card pocket
- HY2140 Padding per side
- HY2150 Horizontal/vertical pockets (per side)
- HY2155 Slash pocket
- HY2160 3" poly sheet lifter
- HY2165 4" poly sheet lifter

- HY2170 5" poly sheet lifter
- HY2180 Two tone (print) vinyl
- HY2190 Clear overlay (per side)
- HY2200 Clear Vinyl sheet protectors
- HY2202 Business card holder sheet
- HY2203 Collector card holder sheet
- HY2235 CD holder sheet
- HD-307 Two large gold corners

HY PRODUCTS: 1 colour, 1 location hot stamped imprint included, unless stated otherwise.  
 HL PRODUCTS: 1 colour, 1 location silk-screened imprint included, unless stated otherwise.  
 Set up charges are extra. See page 78 for details.

